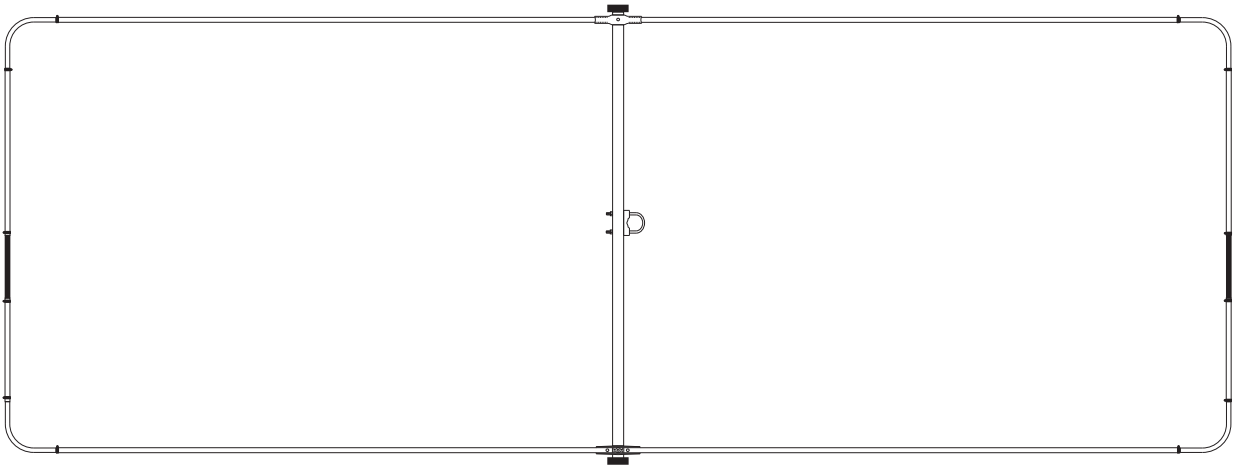


MFJ-1896

Lightweight Moxon for 6 meters

INSTRUCTION MANUAL



CAUTION: Read All Instructions Before Operating Equipment

MFJ

300 Industrial Park Road
Starkville, MS 39759 USA
Tel: 662-323-9715 Fax: 662-323-6551

GENERAL DESCRIPTION

The MFJ-1896 6-Meter Moxon has a broad cardioid pattern with 3.3 dBd forward gain and high front-to-back ratio. Element span is about 7 feet on a 35 inch boom with a turning radius less than 4 feet. The antenna uses high grade aircraft aluminum tubing for rigidity and light weight construction.

Choosing a location

For best performance on receiving and transmitting, mount the antenna in a clear location above or away from buildings, towers, feedlines, utility wires, and other antennas. While your own ingenuity and particular circumstances will determine the final mounting method, we'll pass along a few ideas for both permanent installation and portable operation.

Never mount this antenna in a location that will permit unsuspecting people to come in contact with the antenna elements.

Never mount this antenna where a mechanical failure might allow the antenna to contact power lines or other utility wires.

Always ground the feedline at the point where it enters a building to a good earth ground for lightning protection.

WARNING **Always mount this antenna so that it is out of reach of adults and children. The elements can cause injury and/or severe RF burns.**

WARNING

WHEN INSTALLING YOUR SYSTEM, TAKE EXTREME CARE TO AVOID ANY ACCIDENTAL CONTACT WITH POWER LINES OR OVERHEAD OBSTRUCTIONS. FAILURE TO EXERCISE THIS CARE COULD RESULT IN SERIOUS OR FATAL INJURY

Permanent Installation

The ideal installation is a rigid pole or roof mount that puts the antenna completely in the clear. If the ideal installation is not possible, choose the best compromise. TV mast, heavy-duty rigid electrical conduit, and steel water pipes are suitable mast materials. The use of soft or thin wall mast is not recommended.

Portable Operation

The MFJ-1896 may be easily transported to temporary locations for portable, emergency, and contest operation. Even for temporary or portable operation, do not be casual about selecting a suitable mast. If the antenna falls, it can be damaged and may cause serious injury. Whatever type of installation you choose, remember that the antenna should be installed where it cannot be contacted by people or animals or come in contact with power lines.

Antenna Assembly

Assemble the antenna on a flat level surface. Avoid assembly over grass as you may drop some of the parts and never find them again. Install the front element bracket on the boom. It doesn't matter which end of the boom you choose. Use the 10-24 bolts to secure the bracket to the boom while also installing the main elements into each side of the bracket. Pass the bolts through the holes inside the elements. You may secure them at this time.

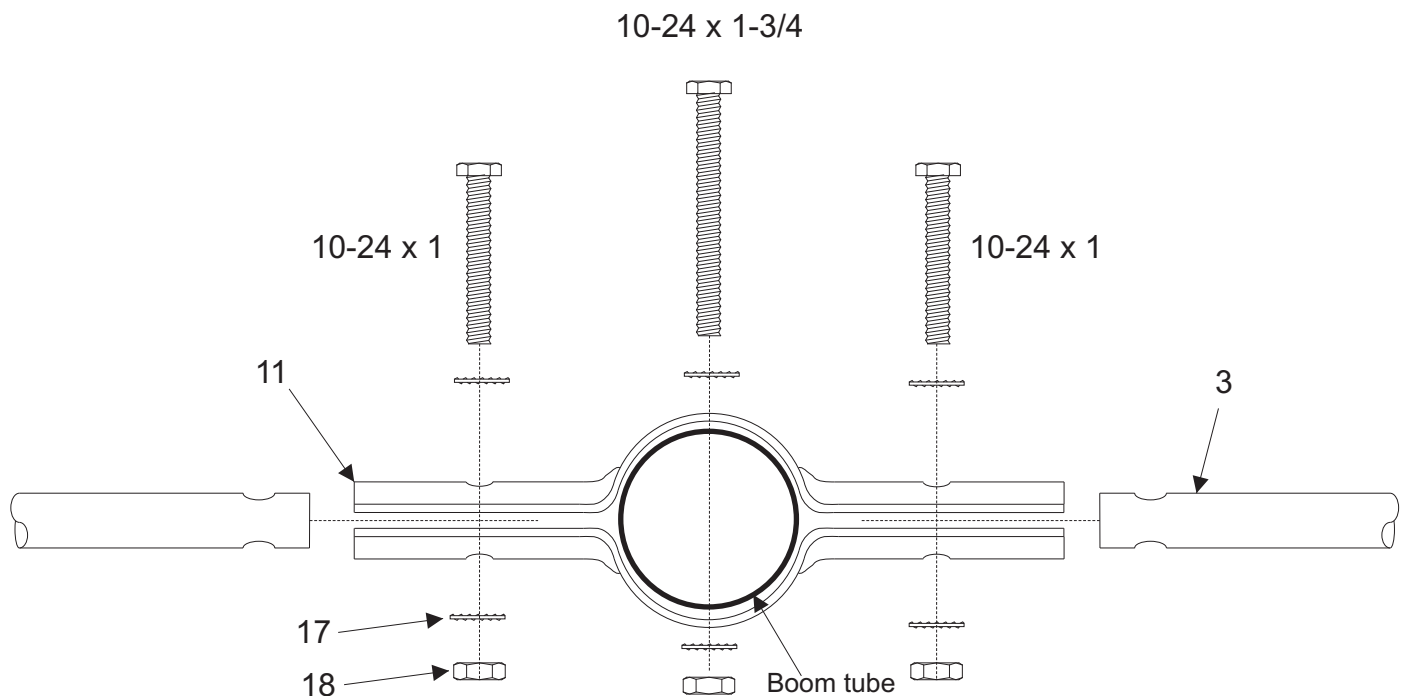


Figure 1

Secure the driven element insulator to the other end of the boom using the 2 inch 10-24 bolt. It does not matter on which side of the boom you install the insulator. Install the remaining two main elements to the insulator as shown in figure 2. The bolt must pass through the bottom of the insulator first as the rest of the bolt will be used to fasten the feed line.

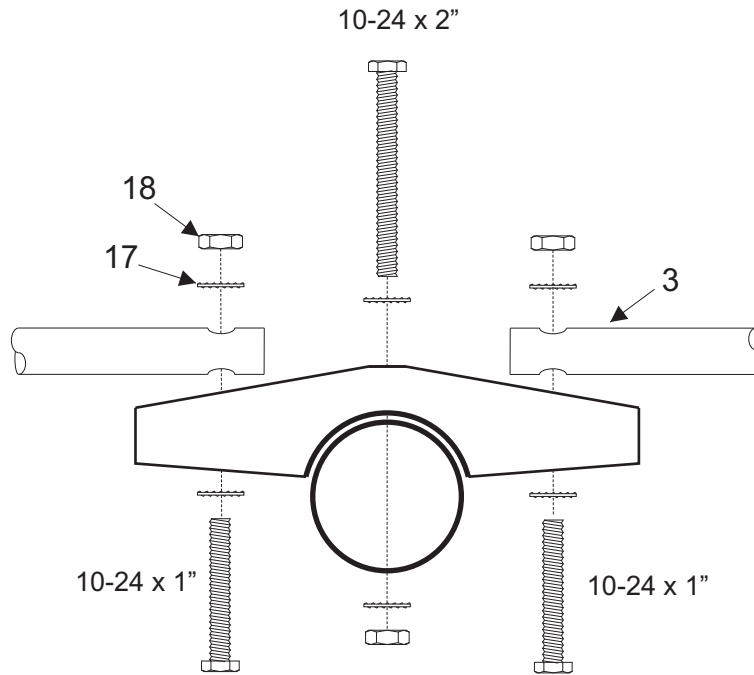


Figure 2

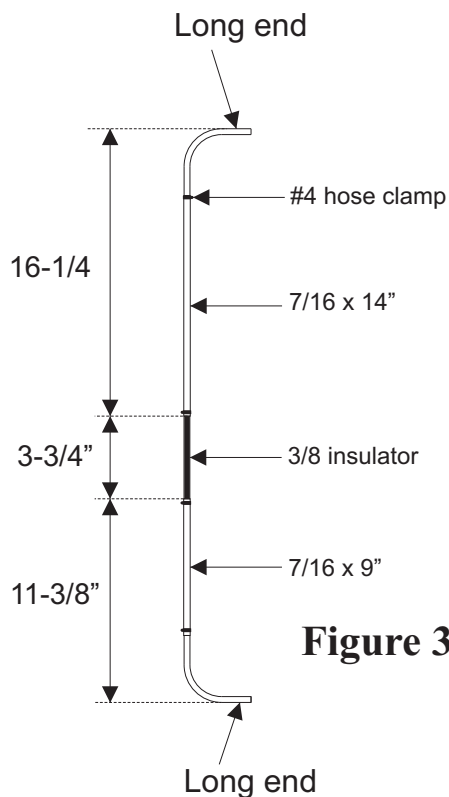


Figure 3

Assemble the end elements as shown in figure 3. Use the #4 hose clamps to secure the tubing together. The corner tubes have one side longer than the other. Insert the short end into this tubing and leave the long end out. Do this twice, one for each end.

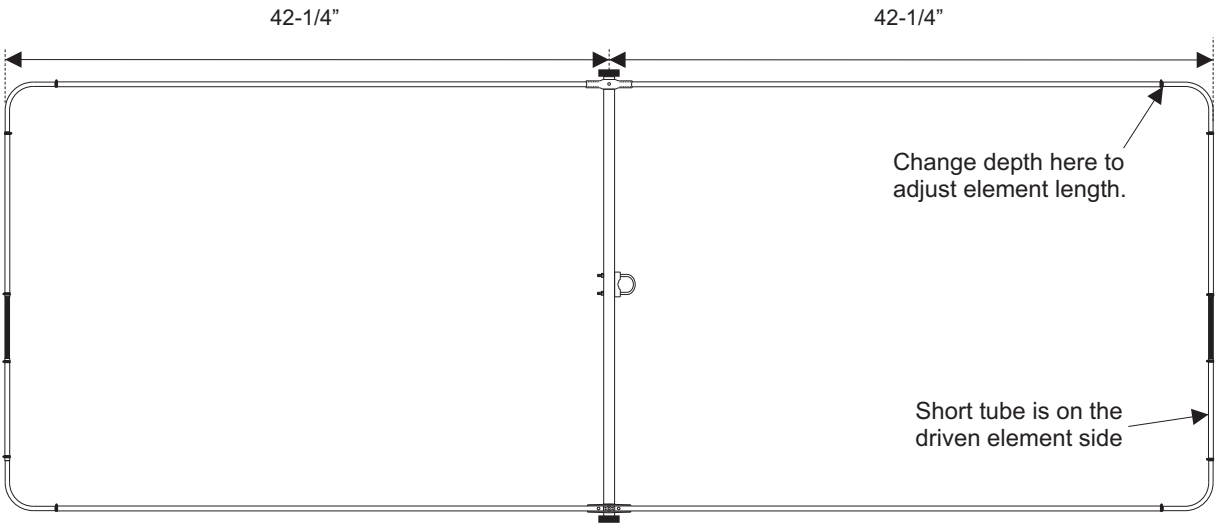


Figure 4

Install the end pieces onto the elements using the #4 hose clamps. The short side of the end piece is on the driven element side of the antenna. The driven elements are the ones attached to the plastic insulator on the boom. Adjust element length by sliding corners in or out of the main element. Install the u-bolt on either side of the boom. Attach the balun assembly to the driven element using the 10-24 nuts and washers as shown in figure 6. Fasten the coax to the boom with electrical tape or other means. Place the 1-1/4 end caps on each end of the boom.

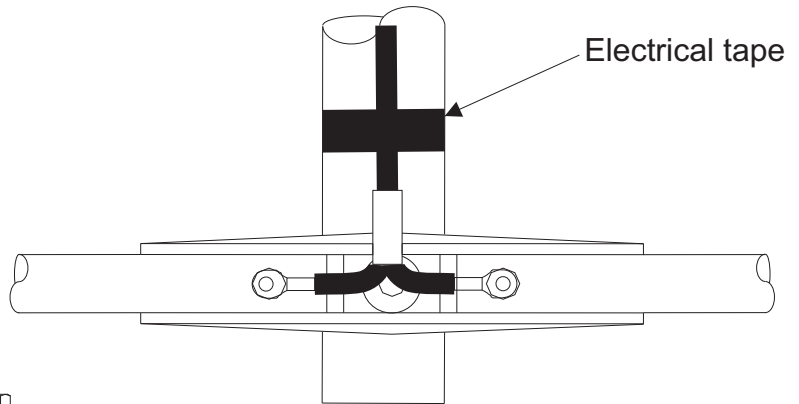


Figure 5

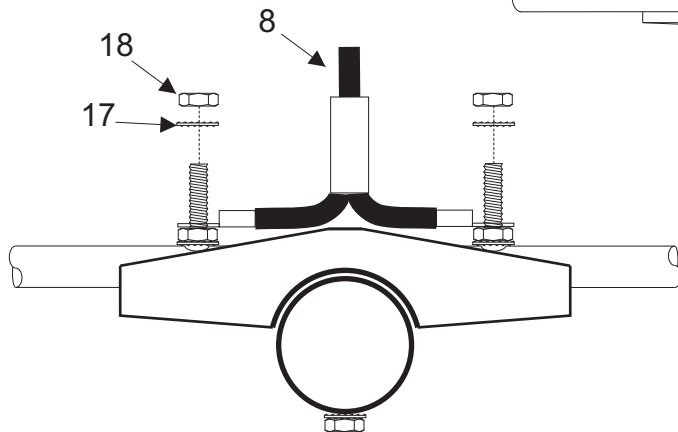


Figure 6

Final Assembly

Check the alignment of the elements and make sure all hardware is tight. Mount the antenna in the final location.

Connect the coax balun to a high quality low loss cable such as LMR-400 or equivalent.

SWR Check

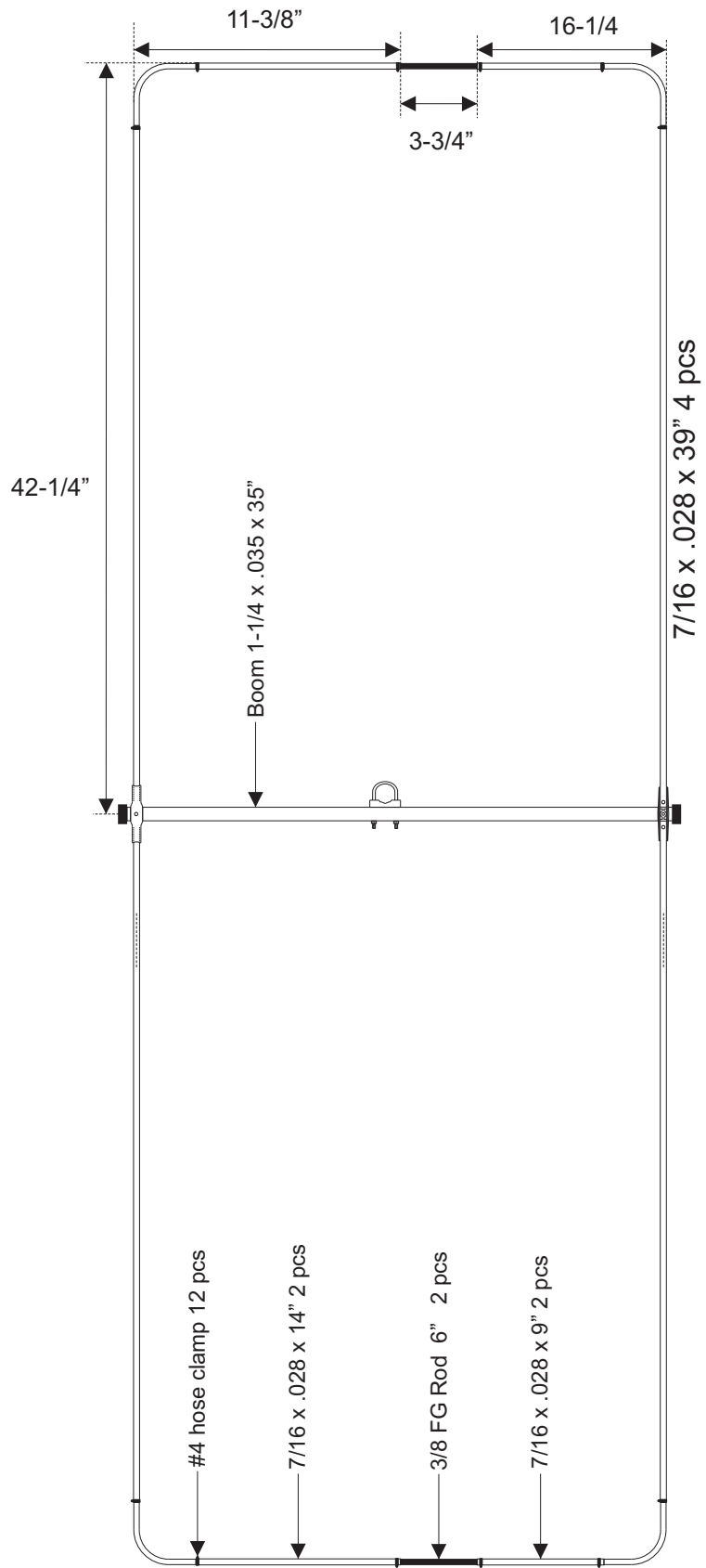
Resonance can be checked with an MFJ-256 or MFJ-269. Alternately a transceiver and SWR meter can be used. Resonance may be changed by adjusting the length of the element length. If the resonance point is too low, shorten the element length. If the resonance point is too high, lengthen the element.

Grounding Considerations

Although this antenna is designed to operate efficiently without the requirement of an earth ground, safety grounding must still be provided to protect equipment, property and persons from the hazards of lightning strikes and other weather related electrical discharges. In addition, the coaxial cable feeding the antenna should have the shield grounded to eliminate the risk of any indoor equipment failure allowing hazardous voltages that could create a shock hazard. Adequate protection can be accomplished by grounding the shield of the coax to a good earth ground where it enters the building, or directly burying the cable in the earth for several feet before it enters the building. For maximum lightning protection, the coaxial cable should be totally disconnected from the station during threatening weather conditions.

PARTS LIST

1			
2	20-1896-1	Tube, Boom, 1-1/4 .035 x 35" Drilled -----	1
3	20-1896-2	Tube, 7/16 x .028 x 39" Drilled -----	4
4	20-1896-3	Tube, 7/16 x .028 x 14" slotted -----	2
5	20-1896-4	Tube, 7/16 x .028 x 9" slotted -----	2
6	20-1896-5	Tube, 3/8 corner -----	4
7	20-1896-6	Rod, Fiberglass 3/8 x 6" -----	2
8	13-0246-6	Coax, Pig Tail With Ferrite beads -----	1
	17-1896-1	<u>Parts Pack MFJ-1896</u>	
9	745-3104S	Hose Clamp #4 -----	12
10	465420	Insulator ABS feed point -----	1
11	160055	Bracket, element to mast -----	2
12	455630	Caplug, 1-1/4 ABS -----	2
13	758-9199	U-bolt 1-3/4 -----	1
14	500321	Bolt, 10-24 x 1-3/4" -----	1
15	500157	Bolt, 10-24 x 2" -----	1
16	504069	Bolt, 10-24 x 1" -----	4
17	711-1037S	Washer, #10 Internal lock -----	14
18	554071	Nut, 10-24 Hex -----	8



FULL 12 MONTH WARRANTY

MFJ Enterprises, Inc. warrants to the original owner of this product, if manufactured by MFJ Enterprises, Inc. and purchased from an authorized dealer or directly from MFJ Enterprises, Inc. to be free from defects in material and workmanship for a period of 12 months from date of purchase provided the following terms of this warranty are satisfied.

1. The purchaser must retain the dated proof-of-purchase (bill of sale, canceled check, credit card or money order receipt, etc.) describing the product to establish the validity of the warranty claim and submit the original of machine reproduction or such proof of purchase to MFJ Enterprises, Inc. at the time of warranty service. MFJ Enterprises, Inc. shall have the discretion to deny warranty without dated proof-of-purchase. Any evidence of alteration, erasure, or forgery shall be cause to void any and all warranty terms immediately.
2. MFJ Enterprises, Inc. agrees to repair or replace at MFJ's option without charge to the original owner any defective product under warrantee provided the product is returned postage prepaid to MFJ Enterprises, Inc. with a personal check, cashiers check, or money order for **\$7.00** covering postage and handling.
3. MFJ Enterprises, Inc. will supply replacement parts free of charge for any MFJ product under warranty upon request. A dated proof of purchase and a **\$5.00** personal check, cashiers check, or money order must be provided to cover postage and handling.
4. This warranty is **NOT** void for owners who attempt to repair defective units. Technical consultation is available by calling (601) 323-5869.
5. This warranty does not apply to kits sold by or manufactured by MFJ Enterprises, Inc.
6. Wired and tested PC board products are covered by this warranty provided **only the wired and tested PC board product is returned**. Wired and tested PC boards installed in the owner's cabinet or connected to switches, jacks, or cables, etc. sent to MFJ Enterprises, Inc. will be returned at the owner's expense unrepaired.
7. Under no circumstances is MFJ Enterprises, Inc. liable for consequential damages to person or property by the use of any MFJ products.
8. **Out-of-Warranty Service:** MFJ Enterprises, Inc. will repair any out-of-warranty product provided the unit is shipped prepaid. All repaired units will be shipped COD to the owner. Repair charges will be added to the COD fee unless other arrangements are made.
9. This warranty is given in lieu of any other warranty expressed or implied.
10. MFJ Enterprises, Inc. reserves the right to make changes or improvements in design or manufacture without incurring any obligation to install such changes upon any of the products previously manufactured.
11. All MFJ products to be serviced in-warranty or out-of-warranty should be addressed to **MFJ Enterprises, Inc., 300 Industrial Park Road, Starkville, Mississippi 39759, USA** and must be accompanied by a letter describing the problem in detail along with a copy of your dated proof-of-purchase.
12. This warranty gives you specific rights, and you may also have other rights which vary from state to state.